



**General Specifications:**

- ✿ 20°F to 70°F Leaving Coolant Range
- ✿ 30 Gallon 304 Stainless Steel Evaporator Tank
- ✿ Tank Sight Glass, 15 PSI Relief Valve, and Air Vent
- ✿ Integrated Operating and Safety Controls
- ✿ Simple and Efficient Refrigeration Circuit
- ✿ Aluminum Structural Frame
- ✿ Weatherproof Mechanical and Electrical Sections
- ✿ Automatic Variable Speed Discharge Pressure Control
- ✿ Single Point Electrical Connection
- ✿ Stainless Steel Fan Shroud and Composite Prop

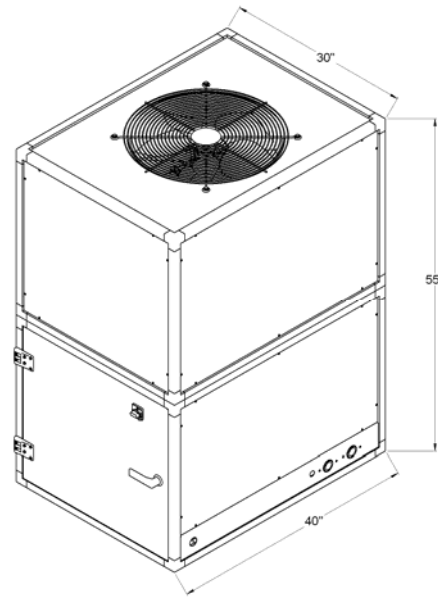
Model	Description	Flow GPM	Pump Head	Capacity @ 95°F Ambient (1,000's BTUH)			Pipe size	Electrical size	Shipping Weight
				35°F	45°F	55°F			
CF-3	3 Ton Nominal	10	47 feet	27	34	43	1"	1"	850 lbs.

Integrated Available Options	
CATALOG	DESCRIPTION
CVF00301	Locking Casters
CVF00302	Super Low Ambient Kit
CVF00303	High Ambient Kit
CVF00304	Stainless Steel Panels/Hardware
CVF00305	Heresite Coated Condenser Coils
CVF00306	Disconnect Switch (Door Mounted)
CVF00307	VPM Voltage Phase Monitor
CVF00308	6 Point Digital Temp Display
CVF00309	Refrigerant Gauges (per circuit)
CVF00311	Tank Level Alarm
CVF00312	Tank Auto-Fill
CVF00314	Remote Operating Panel
CVF00315	Tank Fill Pressure Reducing Valve
CVF00316	Flow Switch (paddle)
CVF00318	System Pump Pressure Bypass Valve
CVF00319	System Pump VFD
CVF00320	Vibration Isolation Mounts
CVF00321	Water Cooled Condensers Mod Valve

Safety and Operating Controls
✿ High and low refrigerant pressure lockouts
✿ Simple electronic temperature control
✿ Suction pressure operating control
✿ Discharge pressure control for condenser fans
✿ Contactors, motor starters, and overloads

Refrigeration Circuit
✿ 3 ton nominal hermetic compressor
✿ Air-cooled condenser copper/aluminum
✿ Copper coil in shell evaporator
✿ Thermostatic expansion valve
✿ Liquid-line filter drier
✿ Refrigerant sight glass
✿ Refrigeration suction and discharge service access valves

Physical Data	CF-3-A
Unit Dimensions	40" L x 30" W x 55" H
Crated Dimensions	46" L x 36" W x 61" H
Dry Weight	750 lbs.
Operating Weight	1000 lbs.
Oil Weight	65 oz.
Refrigerant Weight	10 lbs.
Piping Connections	1" FNPT
Electrical Connections	1"
Reservoir Capacity	30 Gallons
Condenser CFM	2,100 CFM



Electrical Data														
Volts	Phase	HZ	Compressor (Each)			Fan (Each)			System Pump			Total Unit FLA	MFS	MCA
			Qty	HP	RLA	Qty	HP	FLA	Qty	HP	FLA			
230	3	60	1	3	10.6	1	0.6	4	1	0.33	1.2	15.8	29.1	18.5
460	3	60	1	3	5.3	1	0.6	2	1	0.33	0.6	7.9	14.5	9.2

**NOTES:**

1. Transformer reflects all power used in control circuit.
2. FLA is at 45° LCT and 95° Ambient Temperature
3. For 208V, multiply 460v values by 2.21

Performance Data		CF-3-A				
	Ambient Temperature					
LCT °F	75°	85°	95°	105°	115°	
60°	54.7	51.2	47.8	44.4	41.0	
55°	49.4	46.2	42.9	39.7	36.8	
50°	44.5	41.4	38.4	35.0	32.4	
45°	39.8	36.9	34.1	31.4	28.7	
40°	35.5	32.7	30.2	27.6	25.1	
35°	31.5	29.0	26.6	24.2	21.9	
30°	27.8	25.2	23.2	21.0	18.9	
25°	24.3	22.2	20.2	18.1	16.2	
20°	21.1	19.2	17.3	15.5	-	

\* Net capacities not including BTUH's from system pump  
 \*\* Capacity in 1,000 BTUH's  
 \*\*\* LCT =Leaving Coolant Temperature

**System Pump Performance Curve (Nominal)**

