



General Specifications:

- ✿ 20°F to 70°F Leaving Coolant Range
- ✿ 50 Gallon 304 Stainless Steel Evaporator Tank
- ✿ Tank Sight Glass, 30 PSI Relief Valve, and Air Vent
- ✿ Integrated Operating and Safety Controls
- ✿ Simple and Efficient Refrigeration Circuit
- ✿ Aluminum Structural Frame
- ✿ Weatherproof Mechanical and Electrical Sections
- ✿ Automatic Variable Speed Discharge Pressure Control
- ✿ Single Point Electrical Connection
- ✿ Stainless Steel Fan Shroud and Composite Prop
- ✿ Integrated Bypass Pump

Model	Description	Flow GPM	Pump Head	Capacity @ 95°F Ambient (1,000's BTUH)			Pipe size	Electrical size	Shipping Weight
				35°F	45°F	55°F			
CE-7-A	7 Ton Nominal	20	50 feet	63	78	95	1-1/4"	1"	1320 lbs.

Integrated Available Options	
CATALOG	DESCRIPTION
CVE00701	Locking Casters
CVE00702	Super Low Ambient Kit
CVE00703	High Ambient Kit
CVE00704	Stainless Steel Panels/Hardware
CVE00705	Heresite Coated Condenser Coils
CVE00706	Disconnect Switch (Door Mounted)
CVE00707	VPM Voltage Phase Monitor
CVE00708	6 Point Digital Temp Display
CVE00709	Refrigerant Gauges (per circuit)
CVE00711	Tank Level Alarm
CVE00712	Tank Auto-Fill
CVE00714	Remote Operating Panel
CVE00715	Tank Fill Pressure Reducing Valve
CVE00716	Flow Switch (paddle)
CVE00718	System Pump Pressure Bypass Valve
CVE00719	System Pump VFD
CVE00720	Vibration Isolation Mounts
CVE00721	Water Cooled Condensers Mod Valve

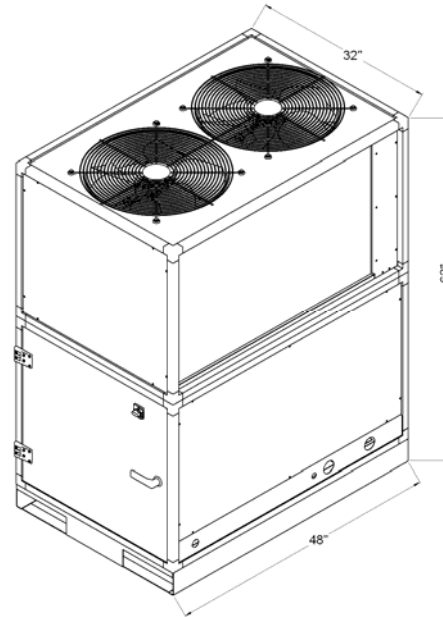
Safety and Operating Controls

- ✿ High and low refrigerant pressure lockouts
- ✿ Simple electronic temperature control
- ✿ Suction pressure operating control
- ✿ Discharge pressure control for condenser fans
- ✿ Contactors, motor starters, and overloads

Refrigeration Circuit

- ✿ 7 ton nominal scroll compressor
- ✿ Air-cooled condenser copper/aluminum
- ✿ Stainless steel brazed plate heat exchanger
- ✿ Thermostatic expansion valve
- ✿ Liquid-line filter drier
- ✿ Refrigerant sight glass
- ✿ Refrigeration suction and discharge service access valves

Physical Data	CE-7-A
Unit Dimensions	48" L x 32" W x 62" H
Crated Dimensions	54" L x 38" W x 68"H
Dry Weight	1,200 lbs.
Operating Weight	1,620 lbs.
Oil Weight	75 oz.
Refrigerant Weight	12 lbs.
Piping Connections	1-1/4" FPT
Electrical Connections	1"
Reservoir Capacity	50 Gallons
Condenser CFM	4,900 CFM



Electrical Data																	
Volts	Phase	HZ	Compressor (Each)			Fan (Each)			System Pump			Bypass Pump			Total Unit FLA	MFS	MCA
			Qty	HP	FLA	Qty	HP	FLA	Qty	HP	FLA	Qty	HP	FLA			
230	3	60	1	7	22.6	2	0.8	5.0	1	0.75	2.4	1	0.17	1.0	36.0	64.3	41.7
460	3	60	1	7	11.3	2	0.8	2.5	1	0.75	1.2	1	0.17	0.5	18.0	32.1	20.8

NOTES:

1. Transformer reflects all power used in control circuit.
2. FLA is at 45° LCT and 95° Ambient Temperature
3. For 208v, multiply 460v values by 2.21

Performance Data		CE-7-A				
		Ambient Temperature				
LCT °F	75°	85°	95°	105°	115°	
60°	114.7	109.8	104.5	99.0	93.2	
55°	104.8	100.0	95.1	90.0	54.7	
50°	95.4	90.9	86.3	81.5	76.7	
45°	86.8	82.5	78.2	73.9	69.5	
40°	78.2	74.1	70.1	66.2	62.3	
35°	70.6	66.8	63.1	59.6	56.1	
30°	63.0	59.4	56.1	52.9	49.9	
25°	56.5	53.1	50.1	47.3	-	
20°	50.0	46.8	44.1	41.6	-	

* Net capacities not including BTUH's from system pump
 ** Capacity in 1,000 BTUH's
 *** LCT =Leaving Coolant Temperature

System Pump Performance Curve (Nominal)

