

General Specifications:

- ✿ 20°F to 70°F Leaving Coolant Range
- ✿ 130 Gallon 304 Stainless Steel Evaporator Tank
- ✿ Tank Sight Glass, 30 PSI Relief Valve, and Air Vent
- ✿ Integrated Operating and Safety Controls
- ✿ Simple and Efficient Refrigeration Circuit
- ✿ Aluminum Structural Frame
- ✿ Weatherproof Mechanical and Electrical Sections
- ✿ Automatic Variable Speed Discharge Pressure Control
- ✿ Liquid Filled Refrigerant Pressure Gauges
- ✿ Single Point Electrical Connection
- ✿ Stainless Steel Fan Shroud and Composite Prop
- ✿ Six-point Temperature Display
- ✿ Integrated Bypass Pump

Model	Description	Flow GPM	Pump Head	Capacity @ 95°F Ambient (1,000's BTUH)			Pipe size	Electrical size	Shipping Weight
				35°F	45°F	55°F			
CE-40-A	40 Ton Nominal	120	150 ft.	350	433	526	3"	2"	4,500 lbs.

Integrated Available Options	
CATALOG	DESCRIPTION
CVE04001	Locking Casters
CVE04002	Super Low Ambient Kit
CVE04003	High Ambient Kit
CVE04004	Stainless Steel Panels/Hardware
CVE04005	Heresite Coated Condenser Coils
CVE04006	Disconnect Switch (Door Mounted)
CVE04007	VPM Voltage Phase Monitor
CVE04008	6 Point Digital Temp Display
CVE04009	Refrigerant Gauges (per circuit)
CVE04011	Tank Level Alarm
CVE04012	Tank Auto-Fill
CVE04014	Remote Operating Panel
CVE04015	Tank Fill Pressure Reducing Valve
CVE04016	Flow Switch (paddle)
CVE04018	System Pump Pressure Bypass Valve
CVE04019	System Pump VFD
CVE04020	Vibration Isolation Mounts
CVE04021	Water Cooled Condensers Mod Valve

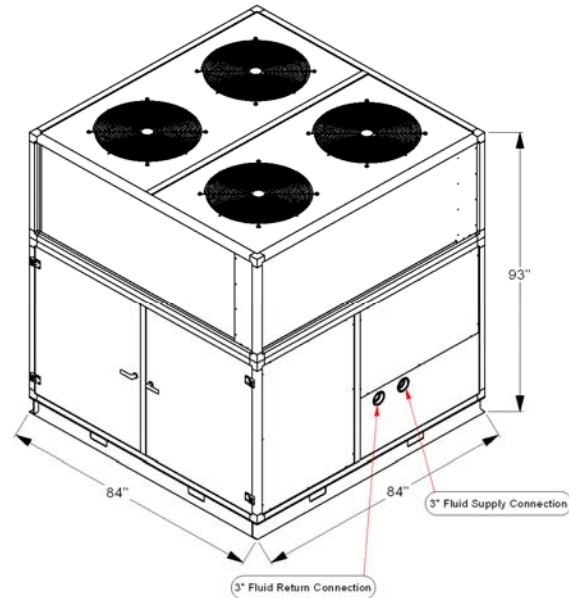
Safety and Operating Controls

- ✿ High and low refrigerant pressure lockouts
- ✿ Simple electronic temperature control
- ✿ Suction pressure operating control
- ✿ Discharge pressure control for condenser fans
- ✿ Contactors, motor starters, and overloads

Refrigeration Circuit

- ✿ Two 15 nominal ton scroll compressors & one 10 nominal ton scroll compressor
- ✿ Air-cooled condenser copper/aluminum
- ✿ Coil in shell heat exchanger
- ✿ Thermostatic expansion valve
- ✿ Liquid-line filter drier
- ✿ Refrigerant sight glass
- ✿ Refrigeration suction and discharge service access valves

Physical Data	CE-40-A
Unit Dimensions	84" L x 84" W x 93" H
Dry Weight	4,400 lbs.
Operating Weight	5,500 lbs.
Oil Weight	32.6 pt.
Refrigerant Weight	48 lbs.
Piping Connections	3" NPT
Electrical Connection	2"
Reservoir Capacity	130 Gallons
Condenser CFM	28,000 CFM
System Pump	120 GPM @ 65 PSI



Electrical Data																	
Volts	Phase	HZ	Compressor (Each)			Fan (Each)			System Pump			Bypass Pump			Total FLA	MFS	MCA
			Qty	HP	RLA	Qty	HP	FLA	Qty	HP	FLA	Qty	HP	FLA			
230	3	60	2	15	43.6	4	1	5.6	1	7.5	18	1	0.17	1.0	157.2	211.7	168.1
			1	10	28.6												
460	3	60	2	15	21.8	4	1	2.8	1	7.5	9	1	0.17	0.5	78.6	105.9	84.1
			1	10	14.3												

NOTES:

1. Transformer reflects all power used in control circuit.
2. FLA is at 45° LCT and 95° Ambient Temperature
3. For 208v, multiply 460v values by 2.21

Performance Data						CE-40-A
LCT °F	Ambient Temperature					
	75°	85°	95°	105°	115°	
60°	642.3	610.6	578.1	544.4	509.9	
55°	586.3	556.8	526.4	495.0	462.9	
50°	533.4	506.0	477.6	448.3	418.4	
45°	485.1	459.6	433.2	405.9	378.0	
40°	436.7	413.2	388.7	363.4	337.5	
35°	394.4	372.5	349.8	326.2	302.2	
30°	352.1	331.8	310.8	289.0	266.8	
25°	315.6	296.9	277.4	255.7	-	
20°	279.1	261.9	244.0	222.3	-	

* Net capacities not including BTUH's from system pump
 ** Capacity in 1,000 BTUH's
 *** LCT =Leaving Coolant Temperature

System Pump Performance Curve (Nominal)

